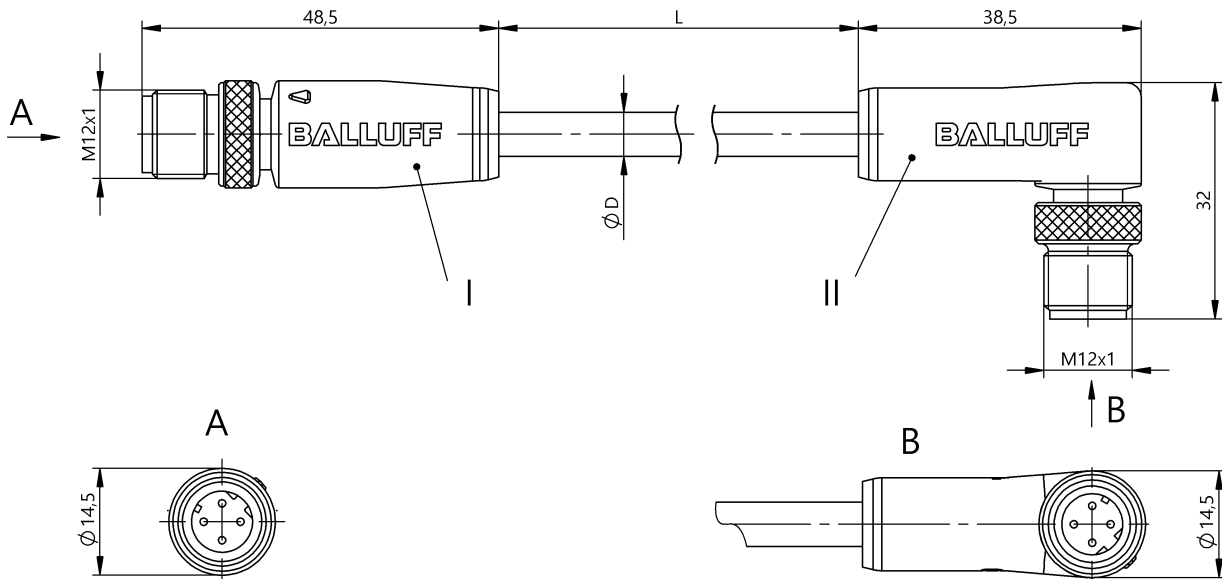


Double-Ended Cordsets  
**BCC M414-M424-6D-338-ES64N9-020**  
 Order Code: BCC0HHE

**BALLUFF**



**Basic features**

<b>Application</b>	Ethernet, CAT 5
<b>Approval/Conformity</b>	CE cULus WEEE

**Electrical connection**

<b>Bending radius min., flexible cable</b>	10 x D
<b>Cable</b>	TPE Shielded teal, 2 m, drag chain compatible
<b>Cable diameter D</b>	6.10 mm ±0.25 mm
<b>Cable, bending cycles min.</b>	10 mil.
<b>Cable, note</b>	Ethernet, CAT 5E
<b>Conductor cross-section</b>	24 AWG
<b>Connection 1</b>	M12x1-Male, straight, 4-pin, D-coded
<b>Connection 2</b>	M12x1-Male, angled, 4-pin, D-coded
<b>Number of conductors</b>	4
<b>System</b>	Molded/Molded

**Electrical data**

<b>Cable rated voltage AC max.</b>	600 V
<b>Cable rated voltage DC max.</b>	600 V
<b>Conductor construction</b>	2x2 twisted-pair
<b>Conductor resistance</b>	≤ 26.0 Ohm/1000 ft
<b>Coupling resistance max.</b>	100 Ohm ±15 Ohm
<b>Operating capacitance</b>	13.5 pF/ft
<b>Operating voltage Ub</b>	60 VDC
<b>Rated current (40 °C)</b>	1.5 A
<b>Transfer rate</b>	10/100 Mbit/s

**Environmental conditions**

<b>Cable temperature, flexible routing</b>	-40...80 °C
<b>IP rating</b>	IP67/IP67

**Material**

<b>Cable jacket material, note</b>	Shielded
<b>Cable jacket, material</b>	TPE
<b>Cable shield</b>	Aluminum foil and copper braid
<b>Material contact carrier</b>	PUR/PUR
<b>Material contacts</b>	Brass/Brass
<b>Material cover nut</b>	Brass nickel-plated/Brass nickel-plated
<b>Material grip</b>	PUR/PUR

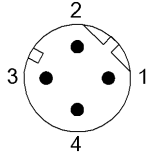
**Mechanical data**

<b>Cable jacket, color</b>	teal
<b>Cable length L</b>	2.00 m
<b>Cable properties</b>	drag chain compatible
<b>Tightening torque pigtail</b>	0.6 Nm/0.6 Nm

## Remarks

Cable construction acc. to UL CMX Outdoor or AWM Style 2463  
Enclosure rating per IEC 60529, only in screwed state with the associated mating piece.

## Connector Drawings



I, II

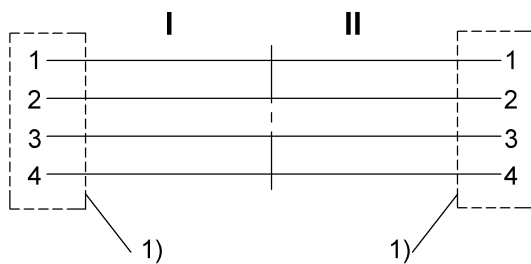
PIN 1: white/orange

PIN 2: white/green

PIN 3: orange

PIN 4: green

## Wiring Diagrams



1) Shield on cover nut